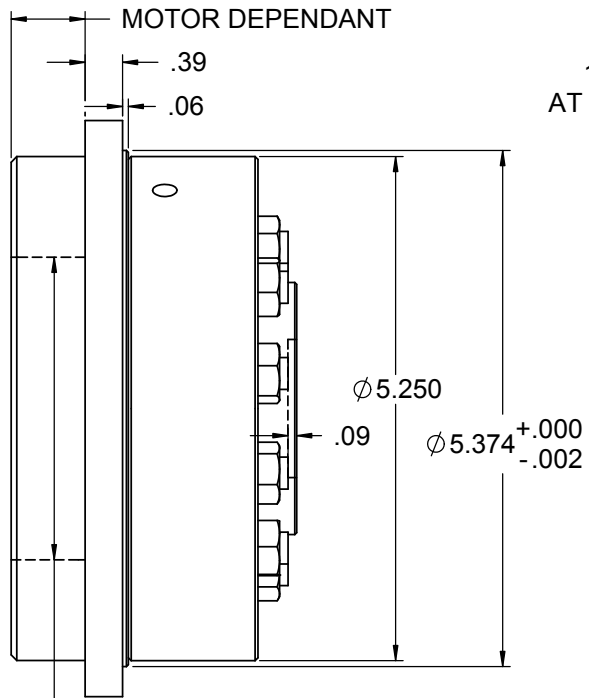


MOTOR DEPENDANT



MOTOR DEPENDANT

.39

.06

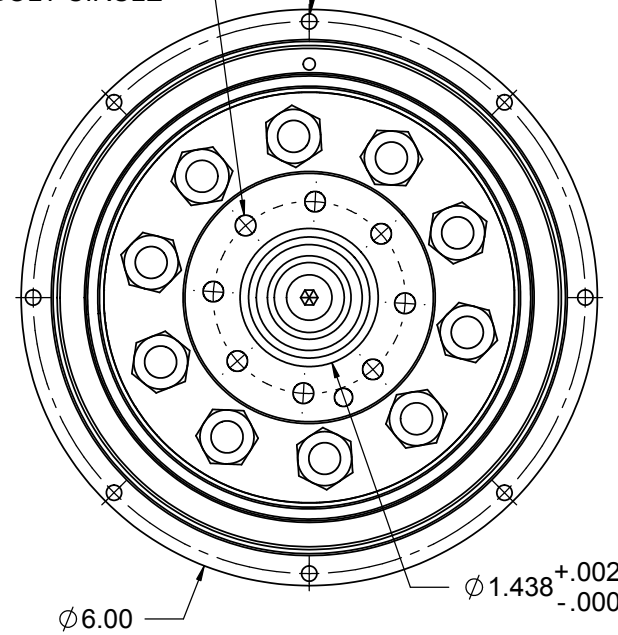
$\phi 5.250$

.09

$\phi 5.374^{+.000}_{-.002}$

8 HOLES
1/4-28 UNF (M6)
AT 2.00 BOLT CIRCLE

8 HOLES
#10-32 UNF
AT 5.750 BOLT CIRCLE



$\phi 6.00$

$\phi 1.438^{+.002}_{-.000}$